

# ZIP<sup>TM</sup>SCREEN



**ROLLEASE  
ACMEDA**  
PRECISION IN MOTION

[zipscreen.com.sg](http://zipscreen.com.sg)

# ZipScreen™ is the ultimate blind solution for any outdoor area or window

There's never been an easier way to extend your home.

Designed and tested in Australia, ZipScreen™ promises to unlock your home's hidden potential, without the time-consuming stress and cost of traditional renovations. Enhance your space and create an outdoor haven for true relaxation and comfortable entertainment, hassle-free. From the summer heat to the winter chill, ZipScreen™ perfectly shields any alfresco, pergola, veranda or balcony, so you can indulge in open-air living, all year round.

Custom-designed to fit any residential or commercial installation.

Whether you're reinventing your living space, or renovating your business' area, ZipScreen™ makes it easy. With 30 years of history, ZipScreen™ defines the ultimate in outdoor living, and delivers a sleek, secure and durable outdoor shade solution. Tailored to fit your space, simply find your local retailer and experience the ZipScreen™ difference, today.

Be Confident with your purchase.

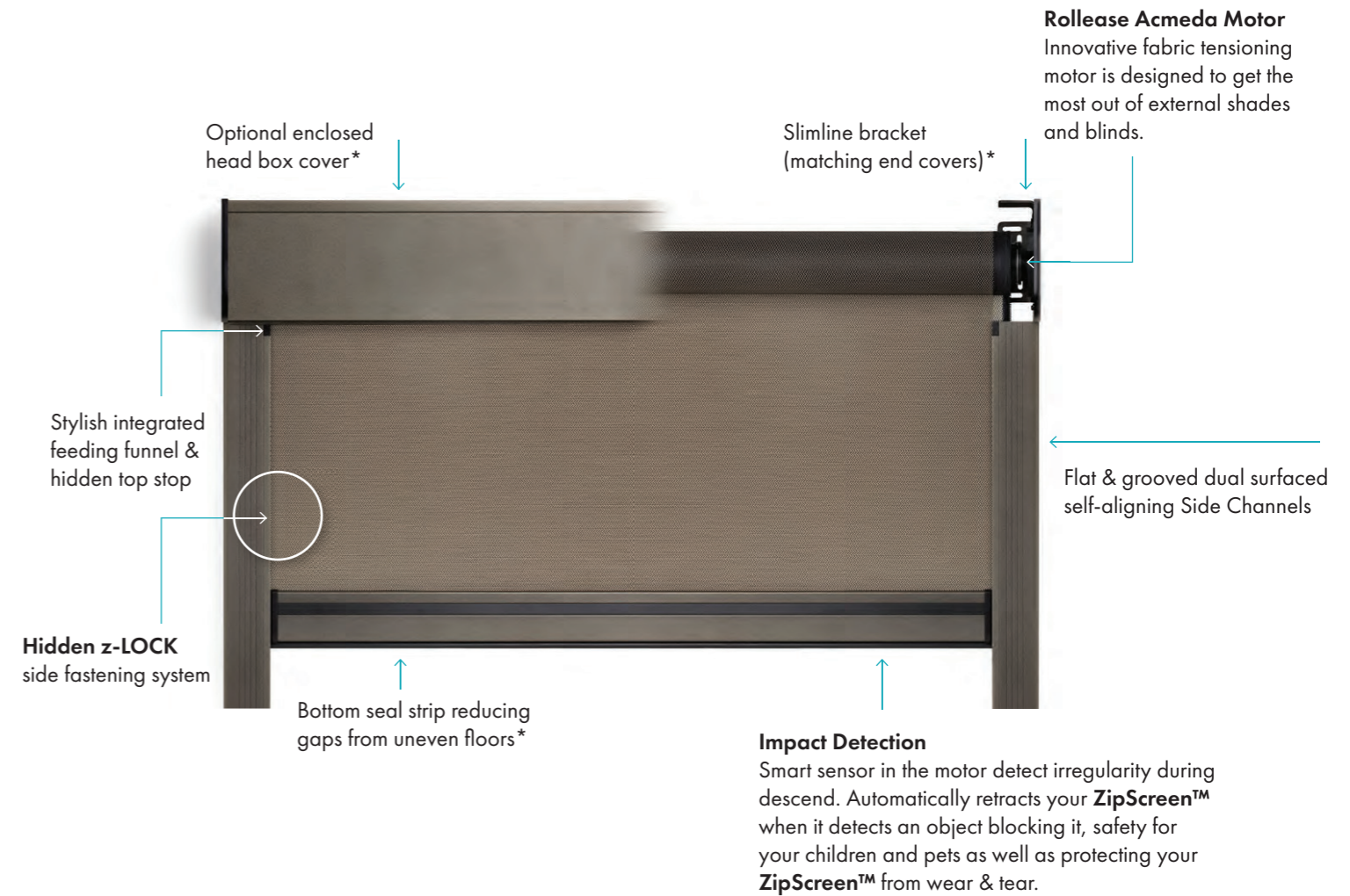
ROLLEASE ACMEDA ZIPSCREEN™ CATALOGUE



AUSTRALASIA | NORTH AMERICA | EUROPE/UK

>>> FEATURE

# ZIPSCREEN™



IMPACT DETECTION



WIND RESISTANCE



SUN/UV PROTECTION



COASTAL APPROVED



PRIVACY



ANTI-GLARE



INSECT RESISTANCE

# PRECISION IN MOTION

leading innovators of window furnishing

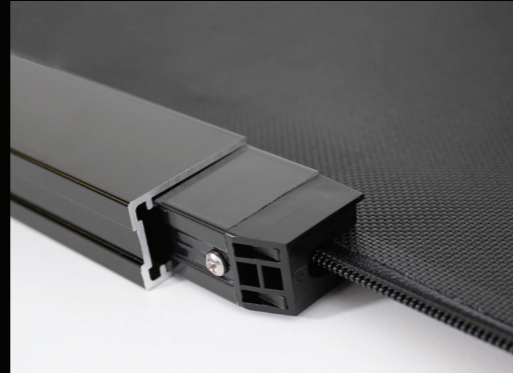


## HIDDEN z-LOCK™ TECHNOLOGY

Breakthrough z-LOCK™ technology provides a unique fabric guide, fastening and securing the welded zip and fabric concealed within the side channels; creating a strong, smooth and streamlined system.

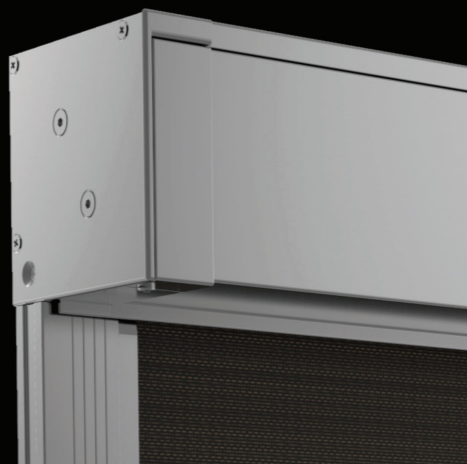
The hidden z-LOCK™ function ensures no gap between the fabric screen and side channels and a secure guided movement that won't blow out in the wind.

A total seal provided by Zipscreen's z-LOCK technology and bottom sealing strip aids in creating a relaxing insect free environment.



## INNOVATIVE ALUMINIUM HEADBOX

High-quality square aluminium profile boasts a contemporary aesthetic, offering fully or semi-enclosed headbox and full or semi-fascia configurations.



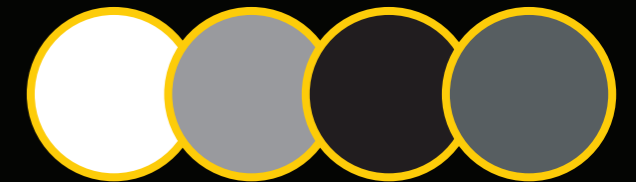
## KNOW YOUR FABRIC

- 99% UV protection
- Reduces sun glare and heat
- Reduces wind, haze, rain & dust
- Excellent privacy protection
- Stays ventilated while keeping the view
- Easy to maintain
- Fabrics openness in 1%



## FRAME COLOUR

ZipScreen™ aluminium frames, pelmet and bottom bar are available in 4 colours or *customise frame colour* available by giving us RAL code



Strong and durable, ZipScreen™ offers protection from the sun, UV rays, and inclement weather. In addition, its secure, custom-made fit can provide an insect-free environment to rest and relax in.

Suitable for a wide range of conditions, it is the perfect solution for any outdoor residential or commercial application.

With various external fabric choices available, including popular screen mesh fabrics controlling the amount of visibility, ZipScreen™ will ensure you receive your desired level of privacy.

Its simple yet stylish design improves the presentation of any home or office, defining outdoor areas and extending your entertaining space from your kitchen or lounge. It also provides a sleek external finish to any window.

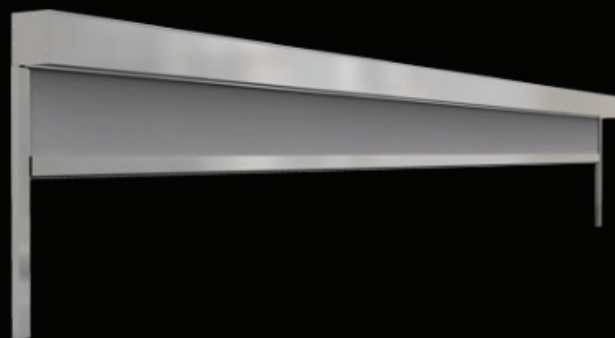
# 30 YEARS OF HISTORY,

innovation and design, tailored to perfectly fit you...



## ZIPSCREEN

ZipScreen™ is the ultimate external screening solution for any outdoor area or window. ZipScreen utilises patented z-LOCK technology to zip-guide the fabric and create a fully sealed, ultra-smooth fabric finish, to protect against sun, wind, rain, and insects all year round. Enclose any alfresco entertaining areas or keep home and office windows covered. Sleek, secure and durable, your custom designed system can be made in widths of up to 4 meters and drops of up to 3.5 meters.



Employ over 200 staff worldwide, spanning the USA, Australia and Europe, to serve several thousands of customers in over 40 countries.

At Rollease Acmeda, we believe that our customers will continue to enjoy the security of market leading products and a product development pipeline that ensures they will always be at the forefront of the window coverings industry.

# ZipScreen™

is coastal approved system\*

## COASTAL APPLICATIONS DEFINITION

A guideline to assist with the selection of external shade products suitable for coastal applications.

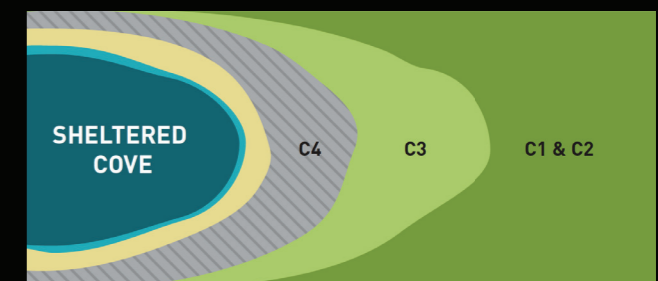
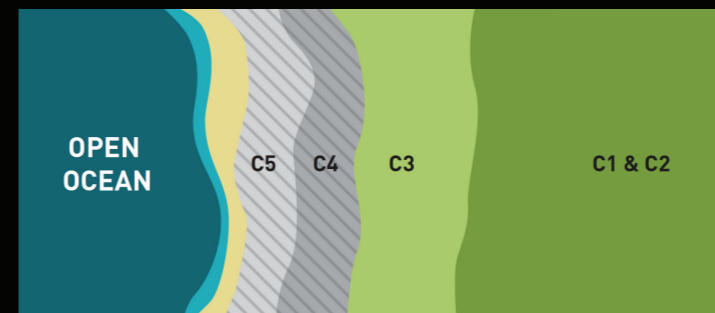


## CORROSIVITY CATEGORIES

The below outlines corrosive zone classes - C1, C2, C3, C4, C5, as specified in the Australian Standard AS 4312-2008.

Our coastal approved systems are in accordance with all areas up to and including C3, and are back with a 5 year warranty

CLASS	DISTANCE FROM SHORE		COASTAL APPROVED SYSTEM WARRANTY
C5	0 - 100m	[OPEN OCEAN]	12 months
C4	0 - 100m	[SHELTERED COVE]	12 months
	100m - 1km	[OPEN OCEAN]	
C3	100m - 1km	[SHELTERED COVE]	5 years
	1km - 50km	[OPEN OCEAN]	
C2	50km and beyond - Non heated or air conditioned building		5 years
C1	Continually heated or air conditioned building		



# WIND TUNNEL TEST RESULTS

ZipScreen outdoor shades offer the best in open air living by combining innovation with a sleek, functional, and modern design.

To highlight the benefits of our signature side fastening solution, our team of engineers utilised the largest wind tunnel in the southern hemisphere to perform testing on our ZipScreen system.

The Monash University Wind Tunnel is Australis's leading automotive aerodynamic test facility, providing the perfect location to push our shades to their limits.



## The results?

A 2.4m x 2.4m ZipScreen shade **withstood** the maximum achievable wind speed of **140km/h**\*

\*We strongly recommend that shades are retracted in strong winds (above 50km/h) to ensure your investment will be perfect for many years to come.



## Beaufort Wind Rating Scale

Beaufort Scale	1	2	3	4	5	6
Wind Speed (km/h)	1-5	6-11	12-19	20-28	29-38	39-49
Description	Smoke drift shows wind direction	Wind can be felt on face, flat ripples	Flag waves	Paper and leaves are scattered	Small trees sway, whitecaps form on waves	Umbrellas are hard to use, large branches on trees move
Beaufort Scale	7	8	9	10	11	12
Wind Speed (km/h)	50-61	62-74	75-88	89-102	103-118	118+
Description	Trees sway, walking in the wind is difficult	Twigs and branches break off trees	Roof tiles blow off buildings	Trees are uprooted	Widespread damage to vegetation and buildings, nearly no visibility at sea	Hurricane, cyclone, Widespread destruction

## But what does this really mean?

Wind Speeds above 118 km/h are equivalent to Beaufort scale of 12, which causes widespread devastation to buildings and complete destruction of vegetation. Given this, it is unreasonable to assume any type of outdoor shading system would withstand the immense power of these weather conditions.



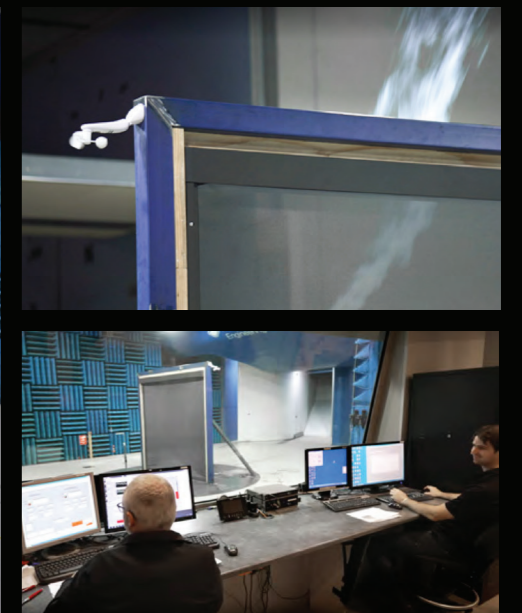
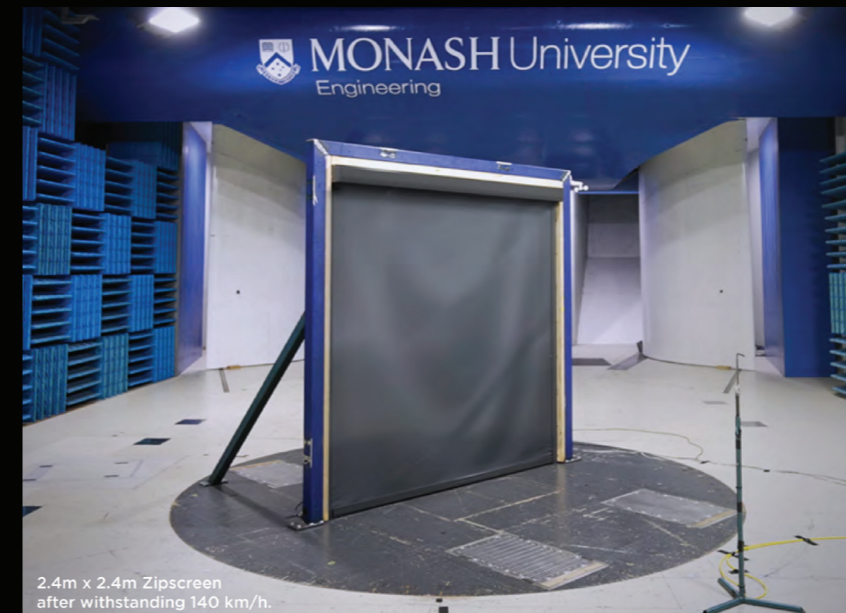
Watch Video

We are in an industry where products are claiming to withstand winds in excess of 200 km/h. It is imperative to be aware of the test methods used to generate these claims and the associated fine print.

One example of a common testing device is an "airbox". An airbox is an open top pressure chamber where a shade is exposed to an air pressure to simulate the effect of wind forces. Calculations are performed to equate this result to an "equivalent wind load", which is then published in marketing material.

Testing outdoor shades in controlled laboratory environments can clearly depict impressive results, but these artificial conditions do not account for the unpredictable nature of real-world factors such as wind gusts, or loose debris acting as projectiles which could damage the fabric, resulting in a costly replacement.

Although our ZipScreen shades withstood an impressive wind speed, we strongly recommend shades are retracted in strong wind (above 50 km/h) to ensure your investment will be perfect for many years to come.



\*The ZipScreen shade was side fixed to a timber substrate and secured to a steel frame with 12G fasteners. Inner rails were secured with 8G fasteners as per the ZipScreen Installation Manual guidelines. Each wind speed test was held for a minimum of 60 seconds. "Maximum achievable wind speed" refers to the limitations of the testing facility, and not the ZipScreen system.

The representations made by Rollease Acmeda Pty Ltd in relation to ZipScreen are based on the testing conducted and the report prepared by Monash Wind Tunnel dated 01 March 2022 (Report ID W0002-20). You acknowledge that the findings as to the strength and durability of the ZipScreen System set out in the report are based on testing conducted within a controlled laboratory environment. As a result the findings set out above may not accurately reflect the extremes in weather conditions or your use of the ZipScreen system.

Rollease Acmeda does not accept any liability or responsibility for any costs, expenses, loss or damage suffered by you in connection with your reliance on the above and or use of the ZipScreen system including for but not limited to any incorrect installation methods, failure to adhere to our User Guide and care manual, exposure to corrosive environments or extreme weather conditions, deterioration or general fair wear and tear or any other natural disaster such as floods, fires, cyclones, hurricanes, earthquakes, explosions and other events outside of Rollease Acmeda's control.



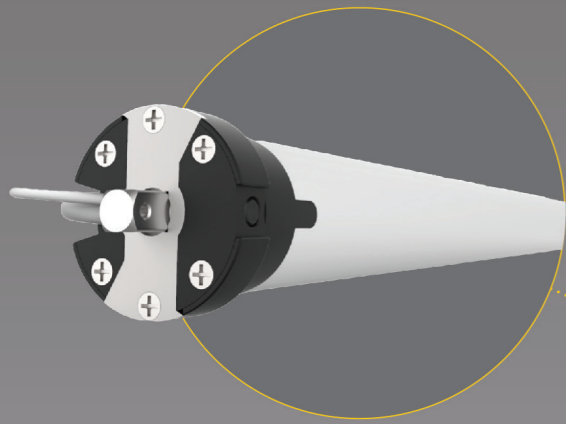
zipscreen.com.sg

# Precision In Motion

100% Made in Australia  
Motor, System and Accessories

## Headbox Configuration

ZipScreen's head box options are made from high-quality aluminium with a square slimline profile. Boasting a contemporary aesthetic, our head box's are available in fully or semi-enclosed designs and full or semi-fascia configurations.



## Rollease Acmeda Motor

Designed for ZipScreen.  
See page 13 for more details.

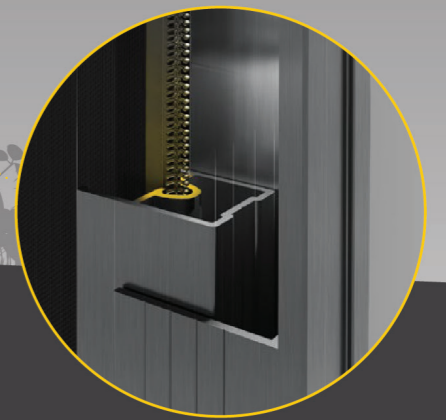


## Automate Pulse 2 Hub & App

The Pulse 2 connects to home networks to unlock the luxury of automated shade control. Experience customization with scene and timer options as well as voice control via Google Assistant. Connect to 2.4GHz wifi ONLY.

## Hidden Fabric Retention

Tightly integrated, our zip-guided system ensures there are no gaps between the fabric and the channels, while ensuring a movement that won't blow out in the wind. ZipScreen's z-LOCK™, combined with the bottom sealing strip creates a total seal and a relaxing insect free environment.



# AUTOMATE™

A DIVISION OF ROLLEASE ACMEDA

**Our innovative fabric tensioning motor is designed to get the most out of external shades and blinds**



### 3 FABRIC TENSIONING MODES

E-type for standard use, Manual FT Mode for fabric tensioning with conventional locks and Auto FT Mode for one-action lock and tensioning, with our Ultra-Lock.



### DESIGNED FOR ZIPSCREEN

The FT motor is specifically designed to perfectly situate and function within the hardware of our flagship external shading system, ZipScreen.



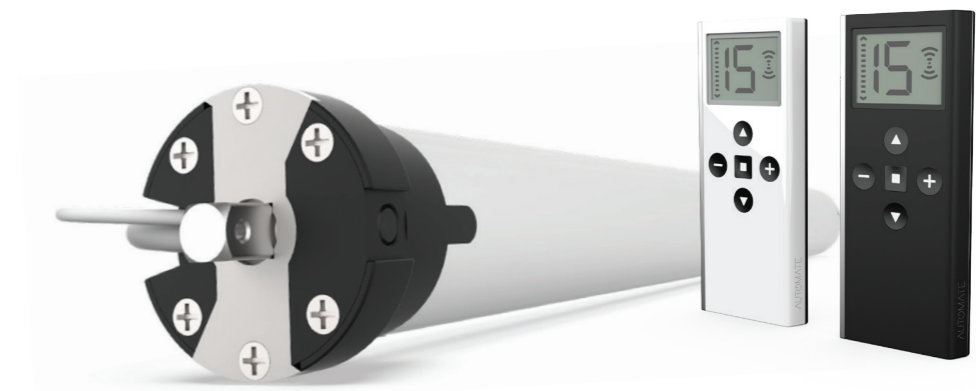
### FAVOURITE POSITION

Regularly used shade positions can be set and activated at the quick touch of a button.



### IMPACT DETECTION

The FT redirects movement to protect the motor, hardware and fabric, if the path of the shade is obstructed by an unexpected obstacle, ensuring the longevity of the system hardware.

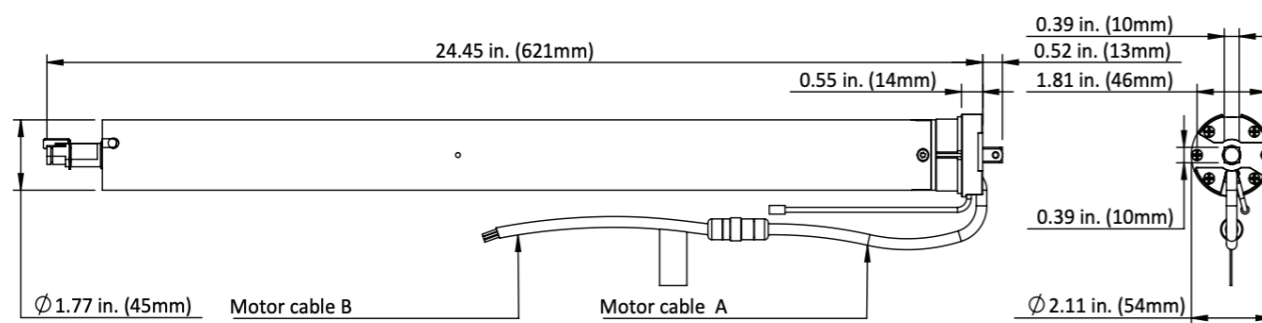


## PRODUCT SPECIFICATIONS

Part #: MT01-1145-050001 AUTOMATE ARC FT Motor [Ø45/15Nm/15rpm] with Clip  
 Part #: MT01-1145-050012 AUTOMATE ARC FT Motor Long connertor [Ø45/15Nm/15rpm] with Clip

<b>Voltage</b>	220-240V AC 60Hz	<b>IP Rating</b>	IP44
<b>Torque</b>	15Nm	<b>Limit Switch Type</b>	Electronic
<b>Max Run Time</b>	4min	<b>Current</b>	1.73 A
<b>Speed</b>	15 RPM	<b>Temp Working Range</b>	32°F to 140°F (0°C to 60°C)
<b>Radio Frequency</b>	433.92 MHz	<b>Insulation Class</b>	I
<b>RF Modulation</b>	FSK	<b>Power</b>	208 W

## DIMENSIONS



PART NUMBER	MOTOR CABLE A	MOTOR CABLE B
MT01-1145-050001	250mm	2500mm
MT01-1145-050012	2500mm	250mm

## COMPATIBLE PRODUCTS



Pulse HUB & App

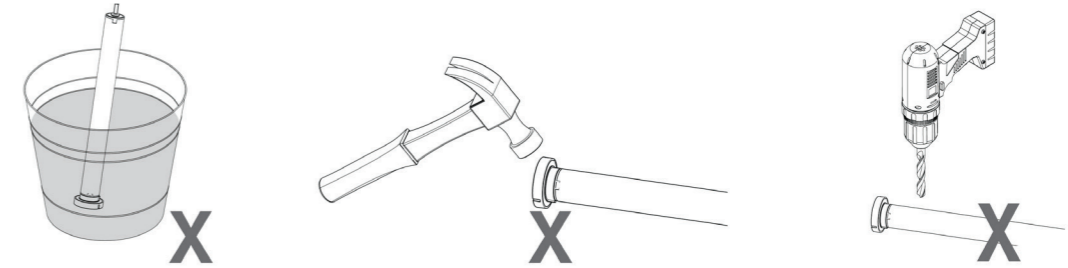


Push 15 Remote

## SAFETY INSTRUCTIONS

**WARNING: Important safety instructions to be read before installation.**

Incorrect installation can lead to serious injury and will void manufacturer's liability and warranty.



## CAUTION

- Do not expose to moisture or extreme temperatures.
- Do not allow children to play with this device.
- Use or modification outside the scope of this instructions manual will void warranty.
- Installation and programming to be performed by a suitably qualified installer.
- For use within tubular blinds.
- Ensure correct crown and drive adaptors are used for the intended system.
- Keep antenna straight and clear from metal objects.
- Do not cut the antenna.
- Use only Rollease Acmeda hardware.
- Before installation, remove any unnecessary cords and deactivate any equipment not needed for powered operation.
- Ensure torque and operating time is compatible with end application.
- Do not expose the motor to water or install in humid or damp environments.
- Motor is to be installed in horizontal application only.
- Do not drill into motor body.
- The routing of cable through walls shall be protected by isolating bushes or grommets.
- Ensure power cable and aerial is clear and protected from moving parts.
- If cable or power connector is damaged do not use.



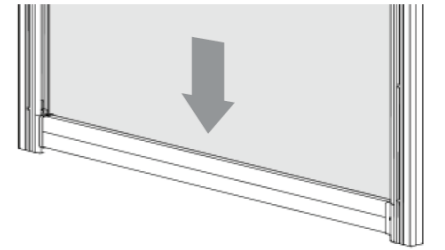


# ZIPSCREEN USER GUIDE

ver 1.0 2.11.2018

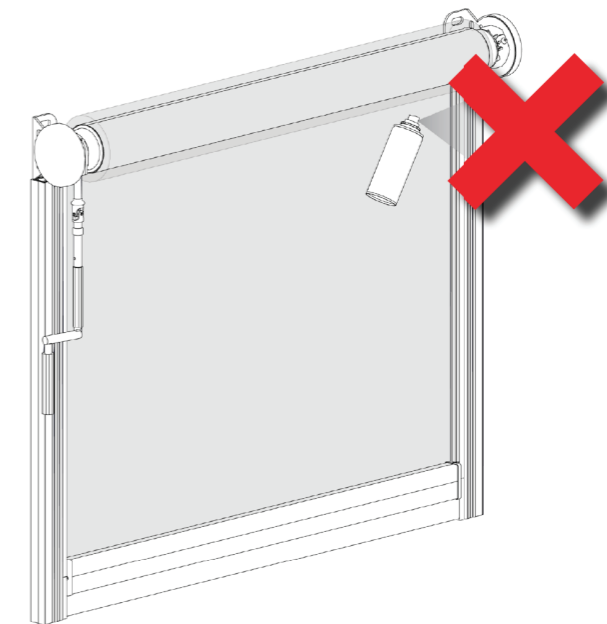
## PRE-OPERATION

During the transportation process, the fabric used for your ZipScreen™ tends to be tightly wrapped in order to keep it protected. This can cause an unwanted rippling or wrinkling effect after it is installed. To ensure rippling is ironed out, it is best to leave your ZipScreen™ shades down of one to two days until the fabric is fully settled. Your outdoor shade has our signature, ultra-smooth fabric finish.



## MAINTENANCE

**NEVER** spray or modify your ZipScreen™. ZipScreen™ does not require any lubricants, sprays or oils to smoothly operate. If you believe your system is not functioning as it should, please contact your retailer.



## CLEANING

Use a mild detergent and a soft brush or cloth to clean your ZipScreen™ system's hardware when required. Never use a pressure hose or harmful chemicals on your system. Always attend to dirt, animal droppings and stains as soon as possible to prevent potential deterioration of your system. To maintain fabric cleanliness, please contact your retailer and find more information about the fabric employed by your system.

## WARRANTY

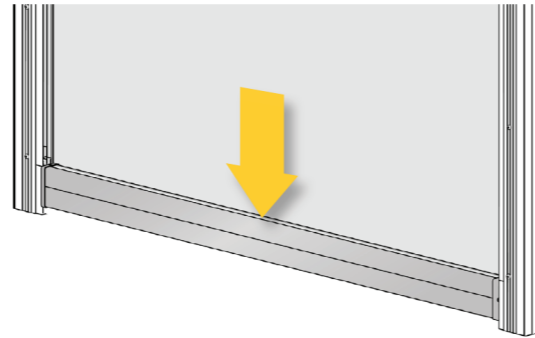
To discuss warranty information, please contact your retailer. ZipScreen™ does offer a 5-year warranty to suppliers on the system's hardware. If you have any reason for concern, questions, replacements, claims and servicing, please directly contact your reseller. For further guidance and support, email [info@zipscreen.com.au](mailto:info@zipscreen.com.au)

## AUTOMATE MOTORISED SYSTEM

When a motorised blind is operated some 'jolting' may be evident. This effect is due to wind gusts causing spontaneous friction between the zip and side guides. This occurrence does not damage the blind.

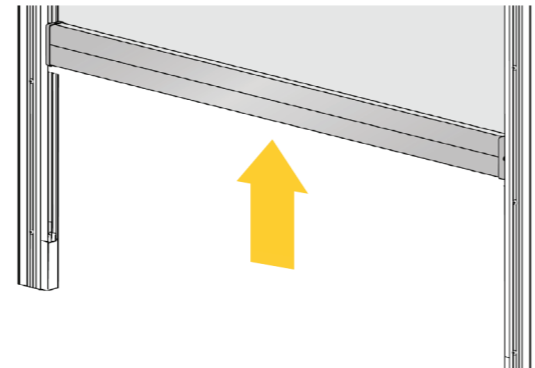
### LOWER YOUR SHADES

On your remote, find and press the 'down' button, once. This will initiate the movement of the shade, and it will begin to lower. The system will stop in its pre-programmed position, at the bottom of the side guide.



### RAISE YOUR SHADES

On your remote, find and press the 'up' button, once. This will initiate the movement of the shade, and it will begin to raise. The system will stop in its pre-programmed position, at the top of the side guide.



### DESIRED HEIGHT

After pressing either the up or down button, wait for ZipScreen™ to move to the desired position, then once content with the shade's height, press the 'stop' button to halt movement. The shade will remain secured in the established position.



### IMPACT DETECTION

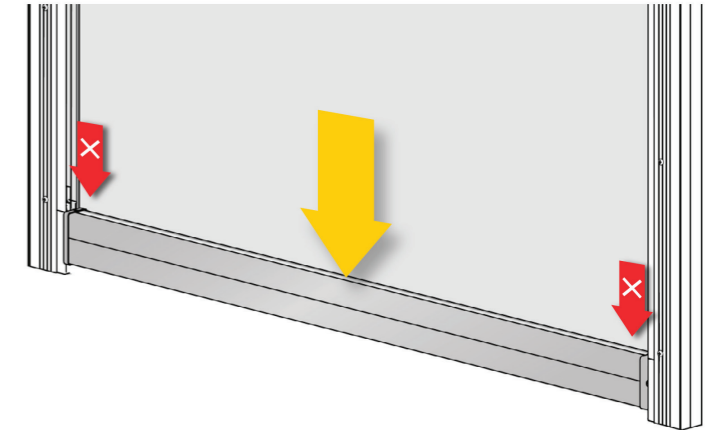
The sensor automatically retracts your system upon obstruction in its descend to prevent damage to fabric and system and for safety.

## SPRING BOOSTED SYSTEM

All ZipScreen™ systems are built to operate smoothly and effortlessly. If it is proving to be difficult to lower or raise your shade, through no fault of your own, please contact your ZipScreen™ retailer.

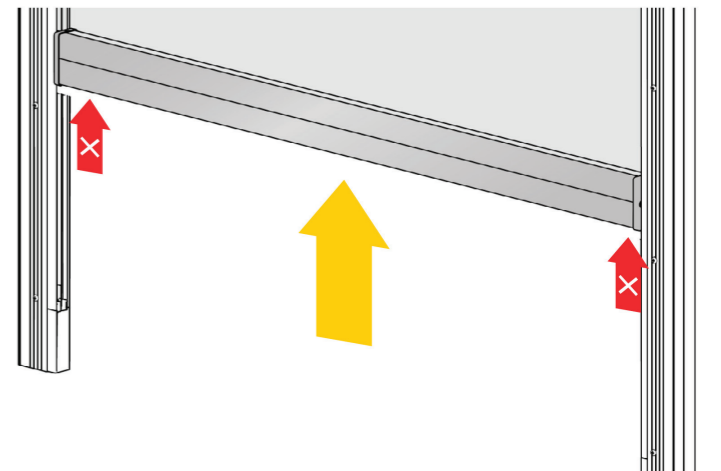
### LOWER YOUR SHADES

Grip the center of the weight bar and guide the shade downwards, gently. Operation from the center is crucial to evenly distribute force and ensure a smooth gliding shade. Always handle your ZipScreen™ from the center of the weight bar, and with two hands.



### RAISE YOUR SHADES

Grip the center of the weight bar and guide the shade upwards, gently. Operation from the center is crucial to evenly distribute force and ensure a smooth gliding shade. Always handle your ZipScreen™ from the center of the weight bar, and with two hands. If your shade rolls up unevenly, bring the shade down and then begin to raise it again, ensuring both sides of the shade are moving smoothly and evenly.



### DESIRED HEIGHT

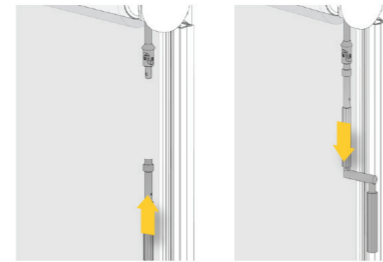
ZipScreen™ outdoor blinds can be left at any desired height. Simply lower or raise the shade to the desired level and the shade will rest in the position set. To ensure longevity, never forcefully operate your outdoor shade system. If you experience irregular jarring, refer to the 'correct procedure' section of this user guide or see your retailer.

## CRANK GEAR SYSTEM

All ZipScreen™ systems are built to operate smoothly and effortlessly. If it is proving to be difficult to lower or raise your shade, through no fault of your own, please contact your ZipScreen™ retailer.

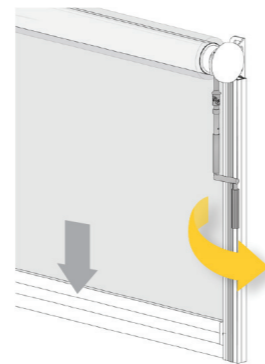
### ATTACH AND DETACH CRANK GEAR HANDLE

Hold the crank gear arm steadily and guide the tip of the arm to the end of the coupling joint at the top of the ZipScreen™. Firmly push the arm into the coupling joint until it securely clicks into place. To detach the arm, simply pull the arm downwards, away from the coupling joint. Store the arm in a safe place until it needs to be used again.



### LOWER YOUR SHADES

Ensure the Crank is connected to the joining arm at the top of the ZipScreen™ and is folded in an 'L' formation. Hold the top grip of the crank arm in one hand and the bottom grip in the other, then rotate the arm counter-clockwise to lower the shade.

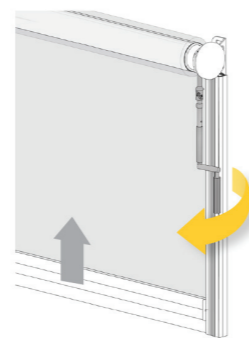


### CRANK ARM SUPPORT

If a crank arm support is in use, unfold the arm and ensure the entire arm is straight. Firmly push the crank arm into the support clip to secure it in place. When the crank arm needs to be used, simply pull the arm away from the support to dislodge it from the grip of the support.

### RAISE YOUR SHADES

Ensure the Crank is connected to the joining arm at the top of the ZipScreen™ and is folded in an 'L' formation. Hold the top grip of the crank arm in one hand and the bottom grip in the other, then rotate the arm clockwise to lower the shade.



### DESIRED HEIGHT

Simply lower or raise the shade to the desired level and the shade will rest in the position set. To ensure longevity, never forcefully operate the system.

## WARRANTY

Products are warrant against original defects in material/workmanship during the specified warranty period.

**ZIPSCREEN**

**5 years Warranty (SPRING BOOSTED SYSTEM & CRANK GEAR SYSTEM)**

4th & 5th year labour fee plus miscellaneous parts charges.

**1 Year Warranty**

On electronic battery operated product.

 **ROLLEASE  
ACMEDA**  
PRECISION IN MOTION

**5 years Warranty**

**One to One On-Site Exchange Policy (Include all parts and labour)**

**DOOYA**  
TUBULAR MOTOR

**5 years Warranty (One to One On-Site Exchange Policy)**

4th & 5th year labour fee plus miscellaneous parts charges.

**somfy**

**5 years Warranty**

1st - 3rd year no labour fee, diagnosis will be perform by Somfy and will arrange re-installation (approximately 2-3 weeks lead time).

4th - 5th year labour fee charge for round trips (dismantling & diagnosis) and for re-installation (approximately 2-3 weeks lead time).

*Warranty does not cover:*









*Installation and usage are not in accordance with our installation and operating instructions.*

*Product has been opened, dismantled or returned with clear evidence of abuse or other damage.*

*Product has been used to perform functions other than the functions it was designed to handle normal wear and tear, including but not limited to fading over the lifetime of the product, deterioration or yellowing when exposed to sunlight, high humidity or extreme outdoor elements for prolonged periods, and cord failure as a result of wearing out over time.*

*1 year warranty on electronic battery operated product.*

## SAFETY & CORRECT PROCEDURE

-  **Do not** leave the ZipScreen™ blind down when you are away from your home or in extreme weather conditions.
-  **Do not** roll the ZipScreen™ blind up when wet (to avoid mould and mildew build up). In the event that extreme winds are present, roll up your ZipScreen™ and wait for the weather to settle, before attempting to dry your blind again.
-  **Do not** force the ZipScreen™ blind up or down if it is jamming. Forcing the ZipScreen™ blind may result in further damage (for example, the zip may be forced out of the side guide, or the fabric may rip). Contact your ZipScreen™ supplier for guidelines of how to fix.
-  **Do not** operate spring controlled ZipScreen™ blinds from the sides - always use the Weight Bar or Handle and pull from the center.
-  **Do not** operate the system remotely or on timers. It is best to be present while the system is in operation, preventing damage from unseen obstructions or extreme winds (unless equipped with 'Impact Detection' sensor).
-  **Do not** lean persons or objects against the fabric, especially while the system is in motion. Always ensure there are no obstructions while lowering the blind.
-  **Do not** use any silicone spray, degreasers or lubricants on your ZipScreen™ outdoor shade.
-  **Do not** use a pressure hose to clear your ZipScreen™.

Congratulations on purchasing a genuine

# ZIPSCREEN

Trusted by thousands, our signature no-gap finish, ensures the perfect seal and complete protection. Your new ZipScreen™ shields against wind, rain, sun and insects, without sacrificing your view, or privacy. Thanks to its high-grade premium parts, your ZipScreen™ is coastal approved, ultra-durable, and built to last.



IMPACT  
DETECTION



WIND  
RESISTANCE



SUN/UV  
PROTECTION



COASTAL  
APPROVED



PRIVACY



ANTI-GLARE



INSECT  
RESISTANCE



**NORTH AMERICA**

USA DIVISION: 7TH FLOOR / 750 EAST MAIN STREET, STAMFORD, CT 06902, USA

**EUROPE/UK**

EUROPE DIVISION: VIA UBERTO VISCONTI DI MODIGLIANI NO. 15, MILANO, 20122, ITALY

**AUSTRALASIA**

AUSTRALIA DIVISION: 110 NORTH CORP BOULEVARD, BROADMEADOWS, MELBOURNE, VIC 3047, AUSTRALIA

**VB BLIND SINGAPORE (TS CLASSIC PTE LTD)**

SINGAPORE: 1 UBI VIEW #03-20 FOCUS ONE SINGAPORE 408555

MALAYSIA: (KUALA LUMPUR) BLK 5-44-2 BUSINESS PARK 1, PERSIARAN ANGGERIK VANILLA, KOTA KUMUNING, SHAH ALAM, SELANGOR, MALAYSIA

(JOHOR BAHRU) 9 & 11 JALAN PERNIAGAAN SETIA 1/4, TAMAN PERNIAGAAN SETIA 81100 JOHOR BAHRU, JOHOR



FACEBOOK



WEBSITE